



Freedom Motors

The 4-Cycle Rotary Rotapower® 650cc Engine

The Power of Freedom

- Based on Wankel rotary engine design
- Low emissions
- Fuel efficiency
- High power to weight ratio
- Very low vibration
- Low cost to maintain

Outstanding Compact Power

Power to weight is:

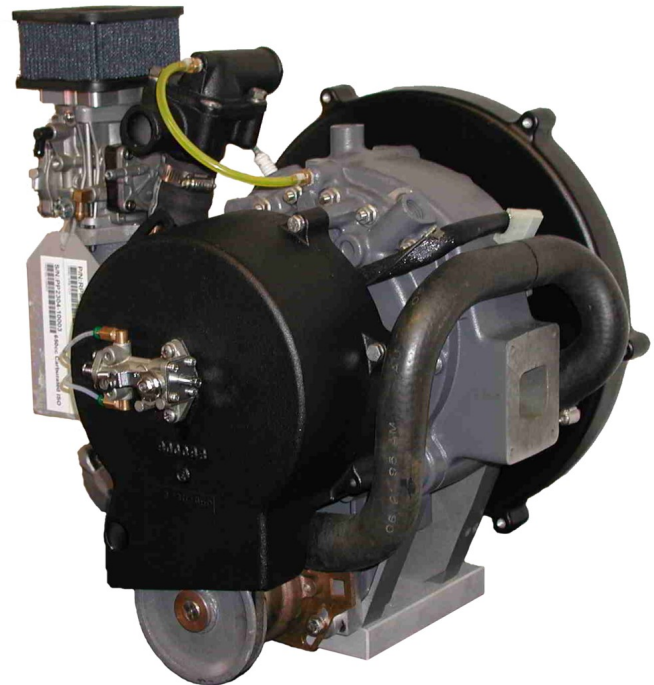
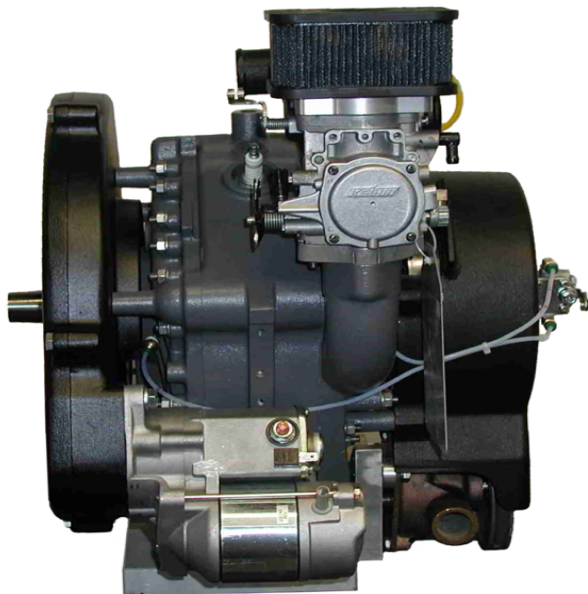
- Superior to typical two-stroke engines
- 75% better than four-stroke piston engines
- 125% better than diesel engines

Superior Emissions Performance

- Tested by California Air Resources Board
- Less than 25% of two-stroke engine emissions
- Substantially less emissions than a four-stroke piston engine when operating at higher RPM.
- Meets 2008 EPA guidelines without catalyst

Durability

- ◆ Low vibration
 - Rotary motion--No reciprocating motion
 - Dynamically balanced
- ◆ Simplicity
 - Low moving part count
 - No timing chain, valves, camshaft, push rods, connecting rods, etc.
- ◆ Charge-cooled rotor eliminates costly and complex components to cool rotor
- ◆ Liquid cooled housings provide efficient heat removal



Freedom Motors

410 Gateway Plaza, Suite G
Dixon, CA 95620 USA

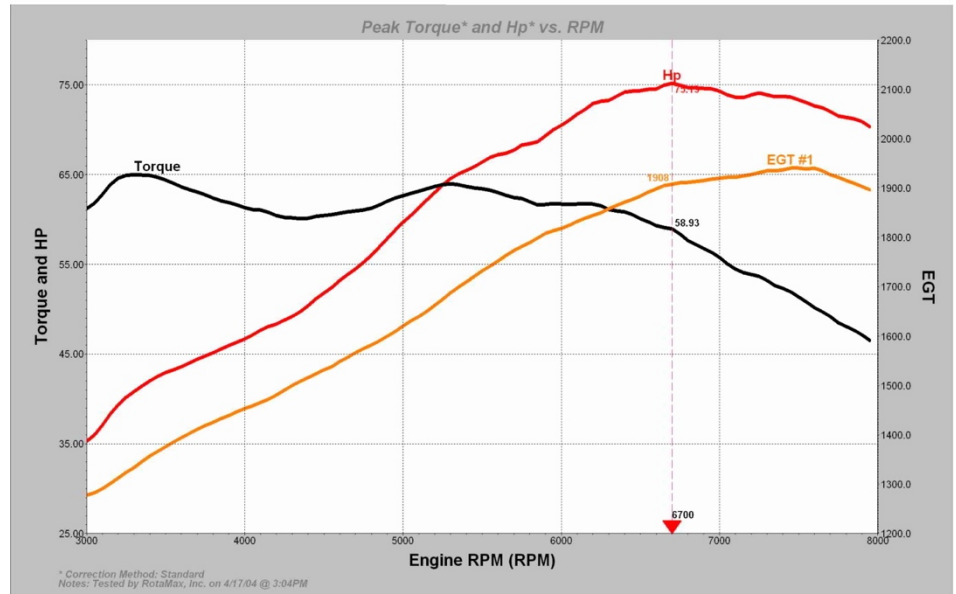
Telephone: 530-756-1230 • Email: sales@freedom-motors.com
www.freedom-motors.com

Experience the Power of Freedom

Rotapower 650cc Single Rotor Maximum Power Sweep RPM Test

Specifications

- Single rotor, 650cc displacement
- 75 HP @ 6,700 RPM
- 110 lbs
- 431mm L x 441mm W x 454mm H (17"-L x 17.4"-W x 17.9"-H)
- Gasoline carburetor (standard)*
- Fuel injection (optional)
- Electric starter
- Spark ignition
- Coolant pump
- Metered oil lubrication system
- 32 Amp generator coil (standard)
- Specifications for battery, exhaust and cooling system provided
- Metric standard design

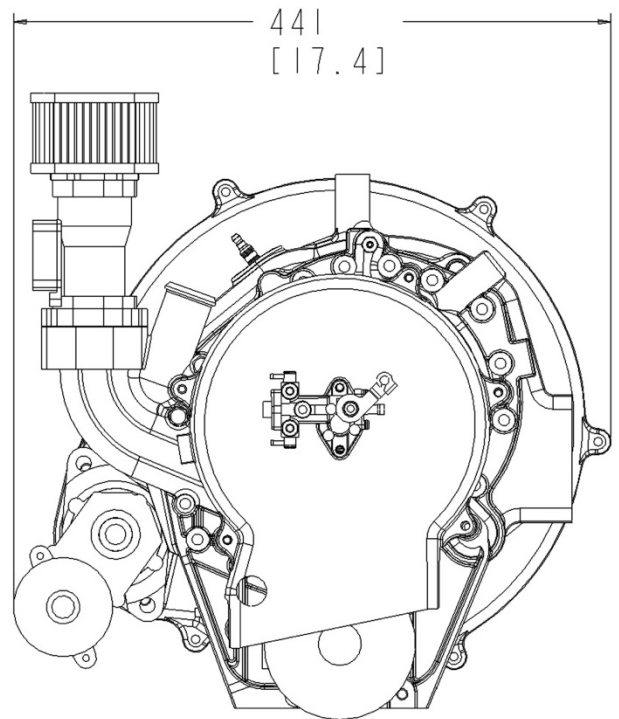


Freedom Motors

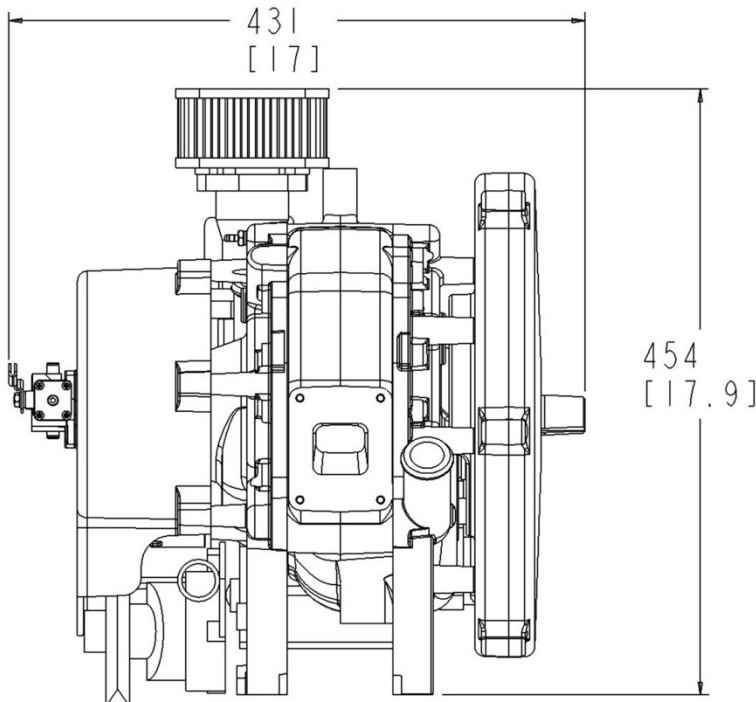
- Incorporated in the State of Nevada, April 1997
- Exclusive worldwide right to manufacture and distribute the Rotapower engine for all applications except ducted fans and aircraft

Price per unit

- Dependent on application & volume



Rotapower 650 – End View



Rotapower 650 – Side View



Freedom Motors

410 Gateway Plaza, Suite G
Dixon, CA 95620 USA

Telephone: 530-756-1230 • Email: sales@freedom-motors.com

www.freedom-motors.com

* Configurable for other light fuels such as natural gas, alcohol, propane, etc. at additional cost.

Experience the Power of Freedom